

The information might change without prior notice to users

M-9102 Network Fire Collector

M-9000 Series IP Network PA System



User's Manual

LY International Electronics Co., Ltd

Address: Room 1206, NO.26 Jinlong Road, Nansha District,
Guangzhou, China
Tel: +86-20-39390663
Website: www.lyintlcorp.com

LY International Electronics Co., Ltd

Safety Precautions

Warn! To reduce the risk of electric shock or equipment damage, please follow the requirements below:

- Be sure to use a separate, three-wire power outlet with ground wire.
- If there is crushing, knotting or damaging to the power cord such as damage to the power cord, contact the dealer immediately. After replacing the power cord, the system should be powered off, which can cause electric shock and even fire.
- When servicing or cleaning the surface of the host, the power plug must be unplugged.
- When pulling the power plug, do not pull the power cord directly to prevent the break, and prevent electric shock; don't place the flammable and explosive items near the host to prevent explosion and fire.
- The host should be placed horizontally; don't make it not tilt, invert, vertical- placed.
- The host should be placed in a dry and ventilated environment,. It needs to retain more than 5cm space in order to facilitate heat dissipation. Do not cover the host and do not press things heavy on the host.
- It is strictly forbidden to open the host.
- If you don't use it for a long time or it's rainstorm, please turn off the host power and unplug the host power plug.

Please note the following symbols:



The lightning triangular symbol indicates the risk of electric shock.



The exclamation point triangle symbol indicates important operational or maintenance instructions.

Directory

Introduction	1
Product Overview	1
Features	1
Product Information	2
Connection and installation	3
System Diagram	3
Connection example	4
Installation	5
Specification	5
Packing list	6

Preface

Thank you for choosing our products. All products have been rigorously tested before leaving the factory, which abide by the quality of commitment. This product is widely used in schools, gymnasiums, square venues, parks, parking lots, railway stations, airports, villas, shopping malls and other places. It is the ideal choice for public broadcasting. In order to facilitate your installation, please read this manual before installation.

Product Description

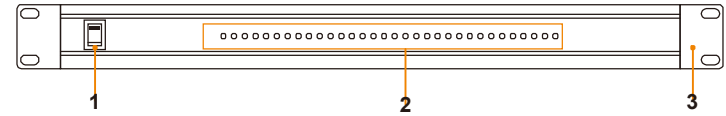
The network fire collector is for collection of occasion's monitoring, smoke detection and emergency handling areas. When an alarm signal is received, the network fire collector sends the signal to the server for forced insertion of the emergency broadcast state. Its performance is sustainable, stable, efficient and reliable.

Features

- Support 32 fire alarm signal access, support short circuit and 12V-24V signal.
- 32-way independent control, support adjacent zone alarm.
- The forced activation area may be limited to the accident zone and may be extended to several adjacent zones, which are pre-programmed by the networked host.
- You can customize the alarm to play the sound through the management software.
- The same system can have multiple devices connected to the network; control area can be extended.
- 10 / 100M adaptive, support DHCP / static IP, support LAN and WAN.
- 32-way signal indicator on the panel shows the working status.
- 1U size, space-saving and lighter-weight; anodized aluminum alloy panel, good-looking and durable
-

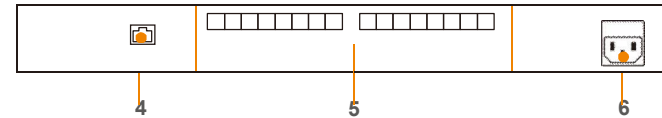
Product Panel Description

Front panel

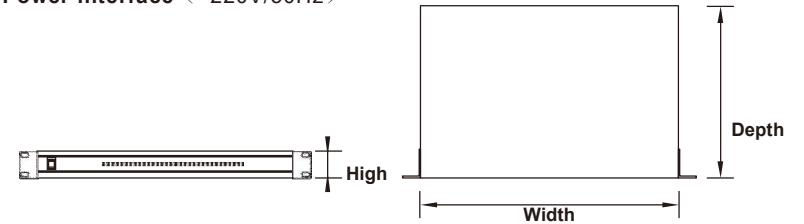


1. Power switch (with indicator)
2. Warning indicator
3. Installation kit

Rear panel



4. Network port
5. Alarm signal interface (32 way)
6. Power interface (~220V/50Hz)

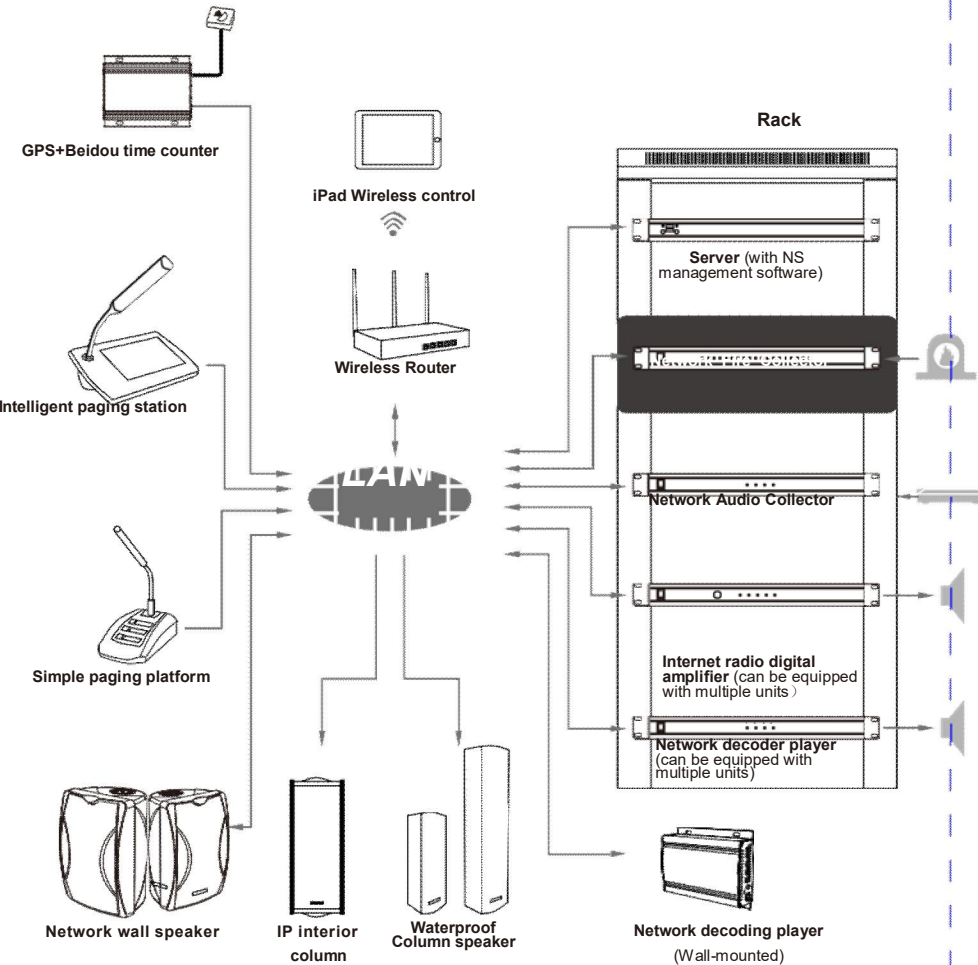


High	Width	Depth
44	430	213

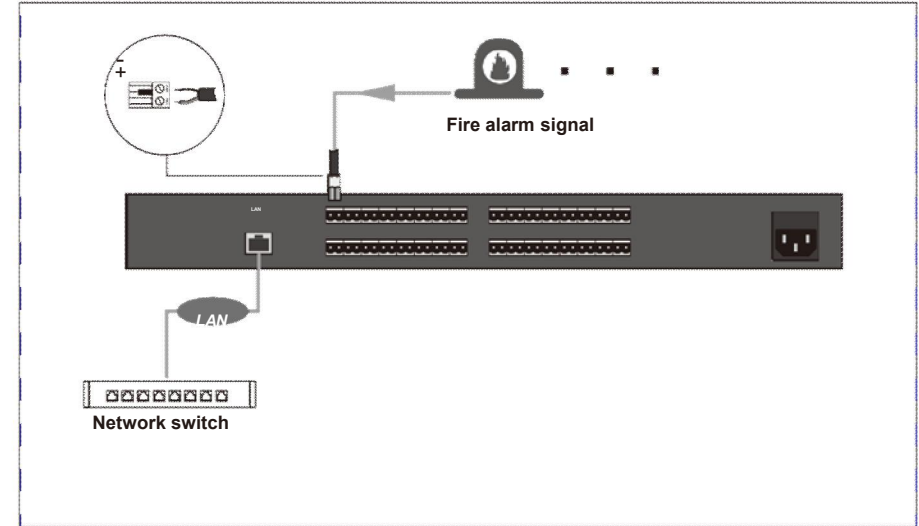
(Unit: mm)

Connection and installation

System Diagram



Connection Demonstration



Instructions

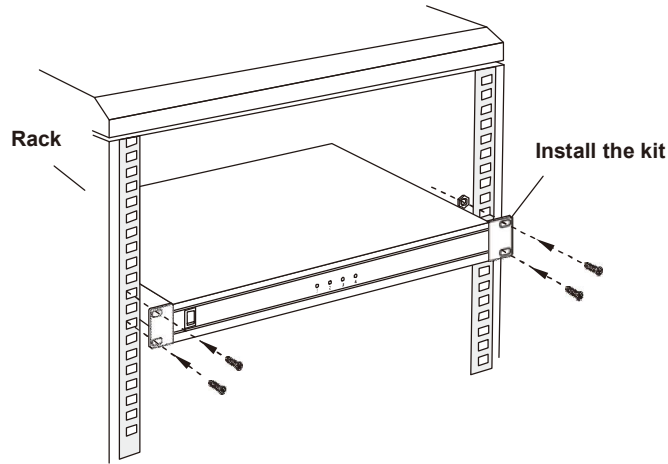
signal input: The network fire detector rear panel can access 32 partitions; the input signal can be 5V-24V positive polarity signal or short circuit signal (input current less than 3mA). The positive signal is valid when the input logic setting switch is set to HIGH; the short circuit signal is valid when the set switch is set to LOW.

Total output: As long as there is an alarm signal input (any one or more), the device on the rear panel of the three-core jack OR GATE will be activated and output short-circuit signal.

Extended: The same system supports the device to have multiple connections to the network to achieve control of regional expansion.

Instillation

Push the product parallel to the cabinet, so that the mounting holes on both sides of the product are aligned with the mounting holes on both sides of the cabinet and fixed with screws. (As shown below)



Specification

Item	Specification
Channels	32
Way of display	LED
Support agreement	TCP/IP、UDP、ICMP、IGMP (Multicast)
Activate neighbor	Multiple, programmable
Trigger signal level	5V-24V
Protection	AC fuse×1
Input mode	Short circuit、12V~24V
Power input	~220V/50Hz
Network	RJ45 (10/100M)
Size (high×Width×Depth)	44×430×213mm
Product Weight	2.3kg

Packing list

Component	Quantity
Network fire collectors.....	1
Install the control	2
Power cable	1
Product Manual.....	1
.....	