

Network broadcast digital amplifier

www.lyintlcorp.com

M-9000 Series IP Network PA System

M-9151
M-9152
M-9153
M-9154



USER MANUAL

LY International Electronics Co., Ltd.

Addr: Room 1206, Aoyuan Business Building, No. 26 Jinlong Road

Nansha District, Guangzhou China. 511458

Tel: +86-20-39390663

Email: sales@lyintlcorp.com

[Http://www.lyintlcorp.com](http://www.lyintlcorp.com)

LY International Electronics Co., Ltd.

Safety precautions

Warning! To reduce the risk of electric shock or equipment damage, please follow the following requirements:

- Please do not use the equipment near the water.
- Clean dry cloth only when cleaning.
- Please do not block any ventilation holes. Please install the equipment according to the manufacturer's instructions.
- Please do not install the device near any heat source, such as radiator, stove or other heating device.
- Please do not weaken the safe use of the grounding plug. The polarity plug has two flat pins, one is wider, and the other is narrower,
- Cannot be used for this product. The grounding plug has two flat pins and one grounding pin, which is suitable for the insertion of this product Head. Wider insert or third pin has a safe protective effect. If the attached plug is not plugged into the socket, The electrician should replace the old socket with electrician.
- Please protect the power cord, prevent it from being trampled or squeezed, especially the plug and convenient socket, and extend from this equipmentPart out.
- Only use the accessories / Accessories specified by the manufacturer.
- The power plug of this equipment should be removed when lightning, rainstorm or not for long time.
- All maintenance must be done to qualified maintenance personnel. The equipment is damaged in any form and must be checked Repair, such as power lines or plugs are damaged, liquid spills or objects fall into the device, the device exposed to rain or damp, Unable to run normally, drop, etc.
- The power switch of the equipment is not disconnected from the grid power when the power switch is in "off" state, so as to be safe,
- If you don't use the equipment, please unplug the power cable plug.
- Please do not expose the equipment to rain or moisture in order to reduce the risk of fire or electric shock.
- The equipment should not be exposed to dripping or watering. Articles filled with liquids should not be placed on the equipment (such as flowers bottle).
- To ensure that the input voltage to the equipment is in line with the voltage requirements of the equipment, otherwise there is the danger of burning out the equipment.
- In order to prevent electric shock, please don't remove the cover. There are no user serviceable components in the device. Maintenance work should be combined the maintenance staff of the grid completed.

Please note the following symbols:



Lightning triangular symbols are used to alert the user to the risk of electric shock.



The exclamation point triangle symbol is used to alert the user to important operational or maintenance instructions.

Contents

Introduction	1
Profile of Product	1
Features	1
Product information	2
Wiring and Installation	3
System Diagram	3
Connection Diagram	4
Installation	4
Setting Sip	4
Technical Parameter	8
Packing list	8

Introduction

Thank you for choosing our products. All products have been rigorously tested before leaving the factory, abide by the quality of commitment. This product is widely used in schools, gymnasiums, square venues, parks, parking lots, railway stations, airports, villas, shopping malls and other places, is the ideal choice for public broadcasting. In order to facilitate your installation, commissioning and use of this product, please read this manual before installation.

Profile of Product

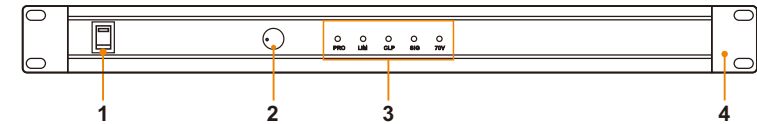
Network broadcast digital amplifier is a professional device designed for use in a web-cast environment with four models and four different output power. All models are lightweight and durable, in the same product has the most excellent.

Features

- High-level protection circuit, an output short circuit protection, overload protection, overheating protection and other protection and warning functions.
- Built-in high efficiency digital amplifier, 70V/100V constant voltage output, up to 90% efficiency.
- Can be separated from the network and the host independent operation.
- Support web mode configuration parameters: static IP, volume control, sensitivity, priority settings, etc..
- Built-in mass storage, built-in program source, with the timer function.
- Support audio formats: MP3, WMA, WAV, FLAC, APE and soon.
- Can play from the host system background music, emergency paging, alarm signals.
- Can be controlled by the network broadcast management software, play.
- With log function, can be automatically saved to the local and server.
- AUX line input, one AUX line output, easy to expand the local other sound broadcast, and local power expansion.
- EMC out 24V and short-circuit contact two strong broadcast output interface, can connect speaker audio controller use.
- 10/100M adaptive, support DHCP/static IP, support LAN and WAN.
- Clear signal display with five status indicators.
- 1U body design, anodized aluminum alloy panel, beautiful and durable.

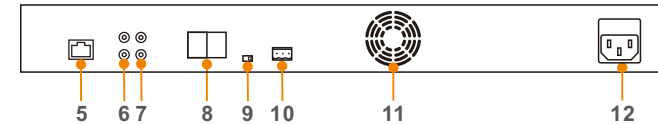
Product Information

Front panel

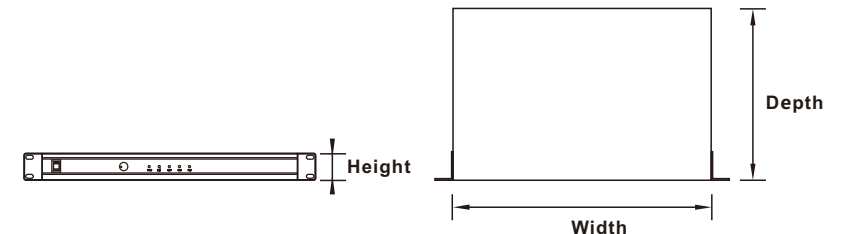


1. The power switch (it will light up when it is on)
2. The volume knob
3. Status indicator ("protection" "limit" "clipping" "signal" "70V gear")
4. Install pendant

Rear panel



5. Amplifier output
6. Audio signal input (RCA)
7. Audio signal output (RCA)
8. Power interface
9. 70V/100V output
10. EMC output
11. Fan
12. Power interface (~ 220V / 50Hz)

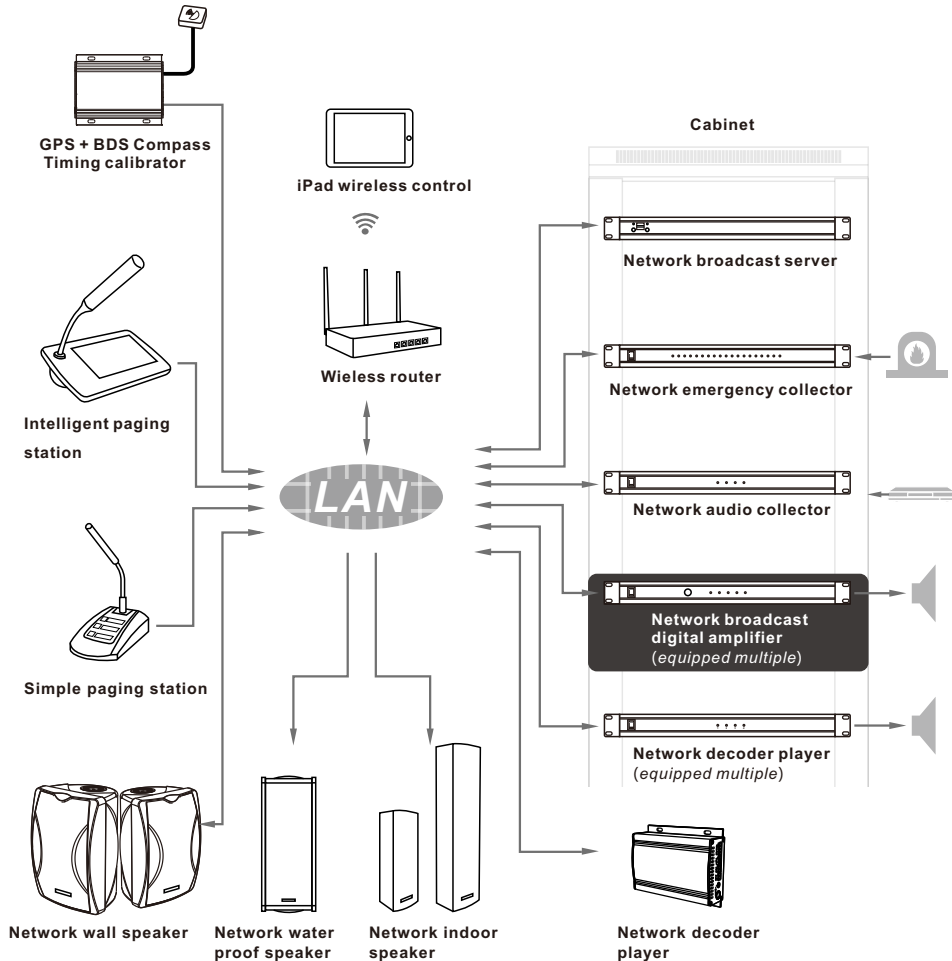


Height	Width	Depth
44	430	213

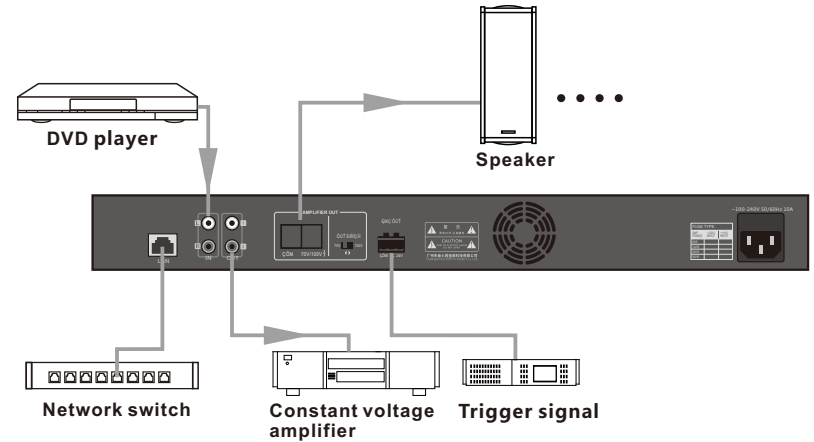
(Unit: mm)

Wiring and Installation

System Diagram



Connection Diagram



⚠ In order to ensure the normal operation of the whole system, router must be installed in the network connected to the device.

Install

Open package

Open the equipment package and check if the equipment has been damaged in transit. If the damage is found, please notify the transport company immediately. If the product shows signs of damage at the time of arrival, please keep the packing box for inspection by the carrier. We also recommend that you keep all the packaging materials for transportation when necessary. Please do not ship the equipment without using the original packing and packing materials.

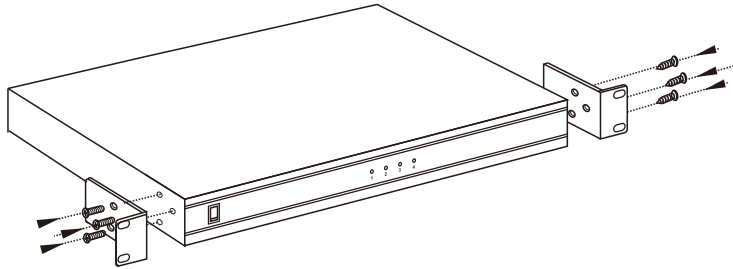
⚠ Warning: before starting the installation, read and follow the safety precautions in the beginning of this manual".

install

⚠ Note: before starting, make sure that the device is disconnected from the power supply and all level controls are set to minimum output. Install the equipment in the frame of standard equipment. You can also place a single device on a solid surface or stack multiple devices.

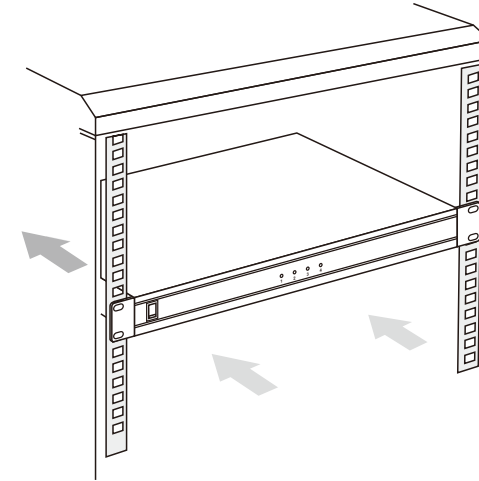
Pendant installation

Fix L-shaped mounting attachments on both sides of the front of the chassis. (As shown below)



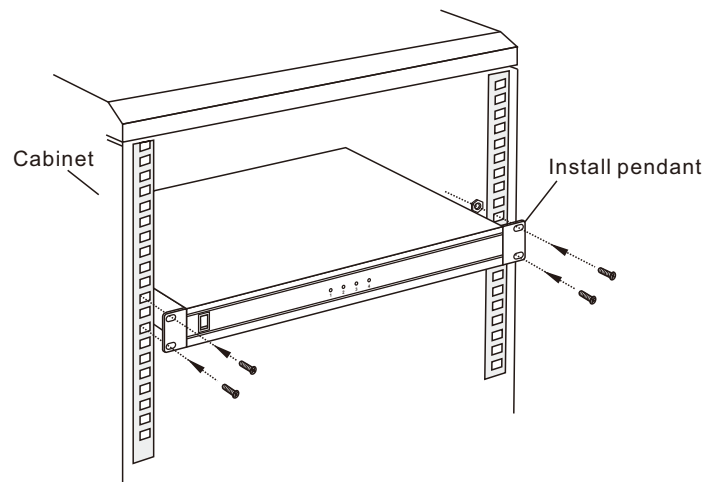
Ensure normal heat dissipation

In the use of equipment rack, each unit can be directly stacked installation. Please use the empty panel to close the open space in the rack. (open space will reduce heat dissipation efficiency) Please do not block the ventilation holes before and after. Gas flow from front to back.



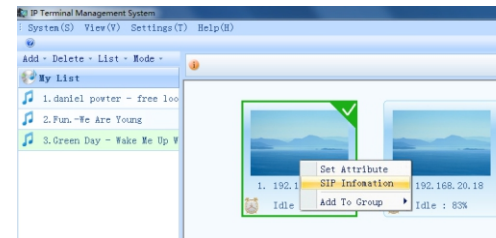
Rack mounting

Push the product parallel to the cabinet, so that the mounting holes on both sides of the product are aligned with the mounting holes on both sides of the cabinet and fixed with screws. (As shown below)

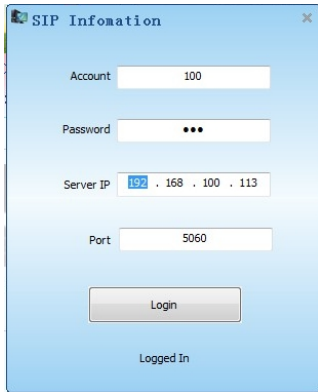


Setting SIP

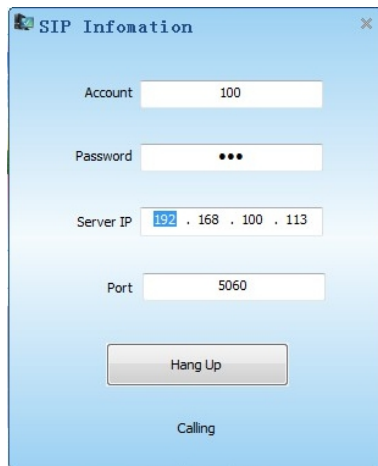
1. First of all, configure your SIP server, including user name and server information. The test server can use mini SIP server and the test terminal can use SIP phone etc. Please test and ensure that the communication of host and the test terminal is normal after information configuration.
2. Opening network PA management software, right-click the device zone in the zone interface and select the pop-up menu "SIP information".



3. Set SIP information in the pop-up SIP information settings box, including user name, password server ip, server interface number and click "login" after inputting. If login successfully it will display "Logged in", and this device and SIP server communication is normal.



4. Use a test terminal (which can be a professional SIP phone or test software) to call, and if the device is normal, the status bar in SIP information will display calling. As shown in the following figure.



Technical Parameter

Item	Specification			
Rated Power (RMS)	M-9151	M-9152	M-9153	M-9154
	60W	120W	250W	350W
Speaker Output	70V , 100V			
Input sensitivity	0dBV			
SNR	> 80dB			
Frequency signal	20Hz-20kHz			
Harmonic distortion	≤0.3%			
Indicators	"Protection" "limit" "clipping" "signal" "70V"			
Network	RJ45 (10/100M)			
EMC out	SC (Relay output)			
24V out	24VDC/0.5A			24VDC/1A
Network support protocol	DHCP, TCP/IP, UDP, ICMP, IGMP(Multicast), 802.1x, HTTP, HTTPS, FTP, DNS, DDNS, RFC3261, RTP, RTSP, RTCP, UPnP			
Power supply	~100-240V 50Hz/60Hz			
Dimensions (High × Width × Depth)	44×430×213mm			
Product weight	2.8kg			

Packing list

Component	Quantity
Network broadcast digital amplifier	1
Install pendant	2
Power cable	1
User manual	1