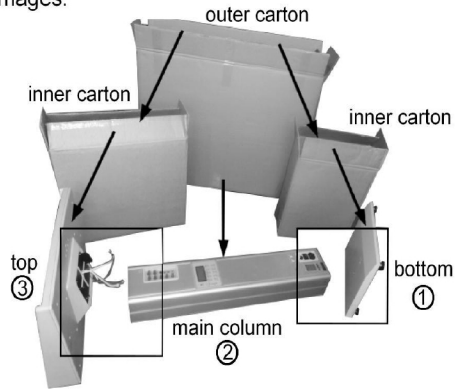
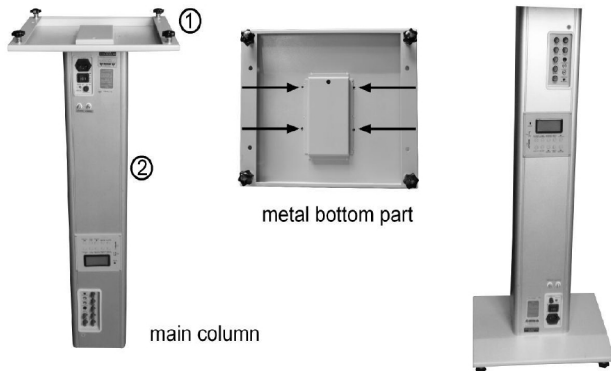


## How to install the PA Amplifier

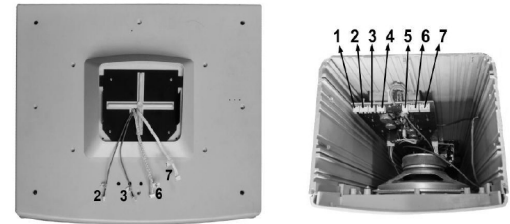
Step 1: Open the shipping outer carton to get the three parts showed in this picture outside and put them on the floor carefully to avoid any damages.



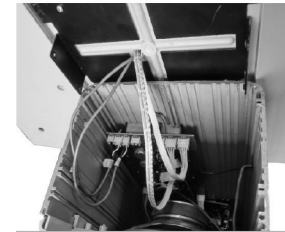
Step 2: Install the iron metal bottom part ① into the main column ② firstly with the showed screws with your screw driver and make sure they are settled tight enough.



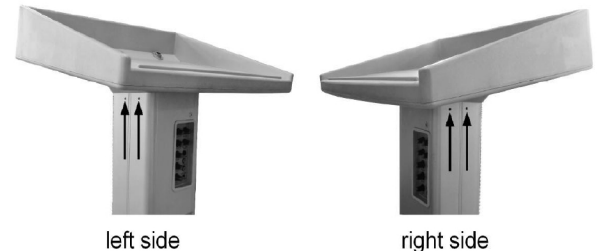
Step 3: Put the ③ top desk into the ② column, connect the cables between ③ and ② as the showed picture here one by one into the correct numbers and places.



2=2  
3=3  
6=6  
7=7



Step 4: Use your screw driver to settle the ③ top desk into the ② main unit column as this showed picture.



- Caution:**
- 1) The above is the installation of the PP-8430UR PA Amplifier. Please install the 3 separated parts into a complete machine as the showed steps one by one, then install the two X-083 or X-084 gooseneck microphones into the sockets of the top desk and screw tight to stable situation, then test and adjust the PP-8430UR PA amplifier to your need volume and result.
  - 2) Before you use it, please charge the built-in rechargeable battery for 6 hours.
  - 3) When you don't want to use it, please turn off it to keep the battery in good condition. Recharge the main unit battery once every 3 months at least.